

data sheet

Colenta[®]

INDX 900E

X-Ray-Filmprocessor



Colenta[®]

COLENTA Industrial X-Ray Film Processor:
TYPE: INDX 900E For all standard Industrial X-Ray Films

06/2019 TK

Colenta[®] INDX 900E

X-Ray-Filmprocessor

Technical Specifications

| | | |
|--------------------------|---|---------------------|
| Processing applications: | All type of Industrial X-Ray films | |
| Film thickness: | min. 0,10 mm | |
| Material width: | min. 6 cm (2.36") - max. 36 cm (14") | |
| Material length: | min. 10 cm (4") | |
| Time in Developer: | min. 30 sec | max. 150 sec |
| Intake Speed: | 38 cm/min | 8 cm/min |
| Cycle Time: | 2,7 min (162 sec) | 13,6 min (816 sec) |
| | (see the table on one of the next page) | |

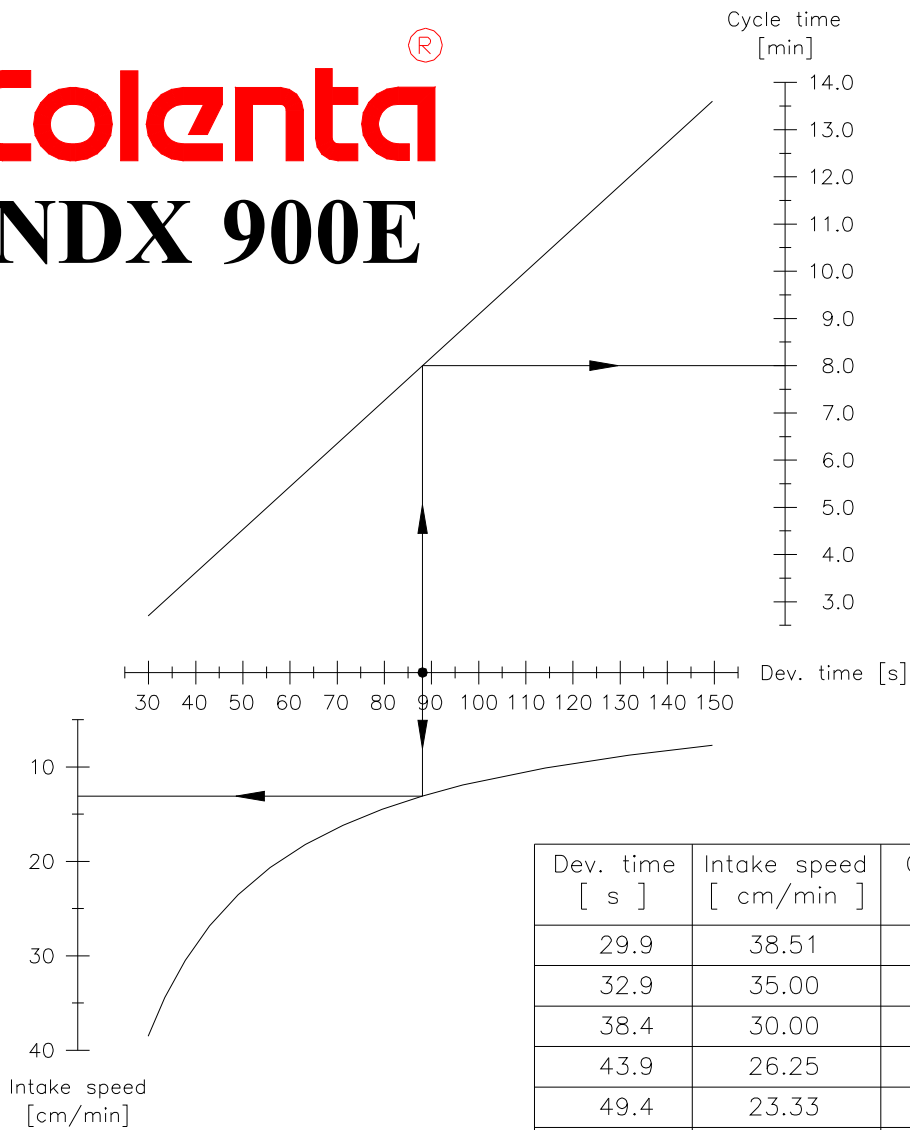
| | | |
|--------------------------------|-------------|--|
| | | INDX900E |
| Tank capacity - | Developer: | 2,6 L |
| | Fixer: | 2,5 L |
| | Wash water: | 3 L |
| Solution heating(Fix and DEV): | | variable in a range of 18°C - 43°C (350W Inline Heater) |
| Dryer: | | warm air |
| Replenishment: | | fully automatic. replenishment is microprocessor controlled and calculated from information received from sensors measuring the width and length of material entering the processor. Replenishment cycles are variable. |
| power supply: | | 1 / N / PE~ 230V (+6% / -10%), 50Hz, 13A, 1.7KW (alternatives are available on request) |
| water supply: | | 2-way magnetic valve, with 3/4" hose connection by using a DVGW-approved system-separating device or pipe-separating device. |
| Wash water flow rate: | | 1,5 ltr/min when film is in process |
| Wash water supply pressure: | | 2 - 6 bar |
| Wash water supply: | | filtered at a temperature of 8°C - 15°C |

| | | |
|----------------|---------------|------------------|
| | | INDX 900E |
| <u>Weight:</u> | Empty | 58 kg |
| | With solution | 66 kg |

Technical specification subject to change without notice.

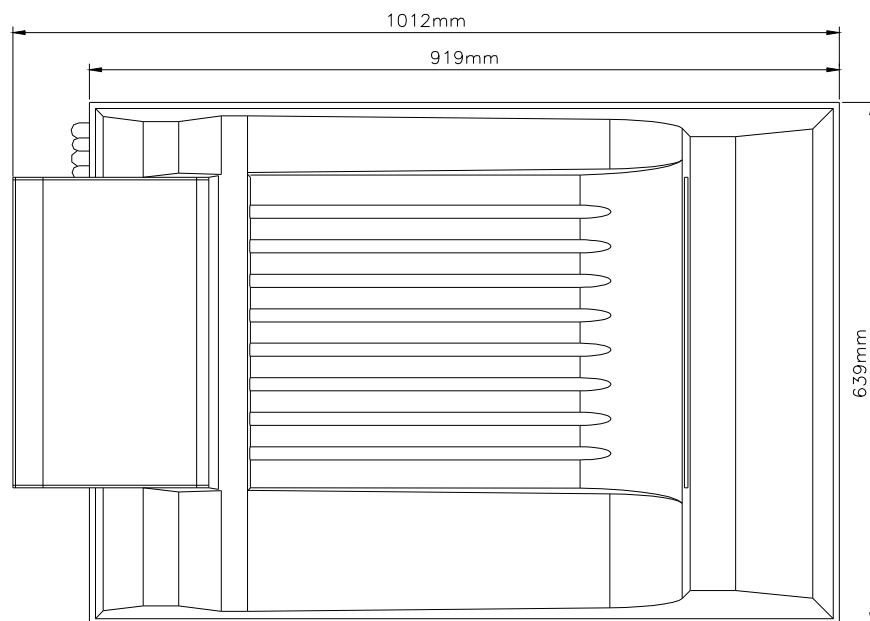
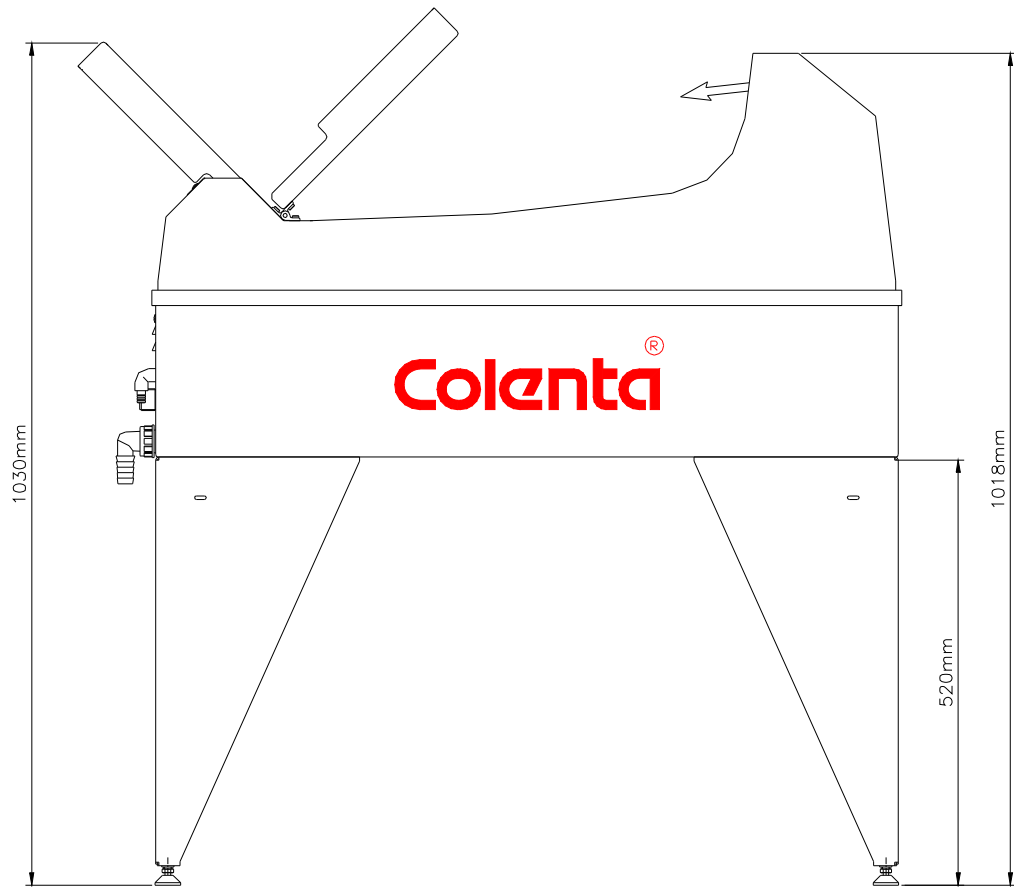
INPUT SPEED / DEV-TIME / CYCLE-TIME:

Colenta[®]
INDX 900E



| Dev. time [s] | Intake speed [cm/min] | Cycle time [min] |
|-----------------|-------------------------|--------------------|
| 29.9 | 38.51 | 2.7 |
| 32.9 | 35.00 | 3.0 |
| 38.4 | 30.00 | 3.5 |
| 43.9 | 26.25 | 4.0 |
| 49.4 | 23.33 | 4.5 |
| 54.9 | 21.00 | 5.0 |
| 60.3 | 19.09 | 5.5 |
| 65.8 | 17.50 | 6.0 |
| 71.3 | 16.15 | 6.5 |
| 76.8 | 15.00 | 7.0 |
| 82.3 | 14.00 | 7.5 |
| 87.8 | 13.13 | 8.0 |
| 93.3 | 12.35 | 8.5 |
| 98.7 | 11.67 | 9.0 |
| 104.2 | 11.05 | 9.5 |
| 109.7 | 10.50 | 10.0 |
| 120.7 | 9.55 | 11.0 |
| 131.7 | 8.75 | 12.0 |
| 142.6 | 8.08 | 13.0 |
| 149.6 | 7.70 | 13.6 |

DIMENSIONS OF COLENTA INDX 900E:



Power Supply:

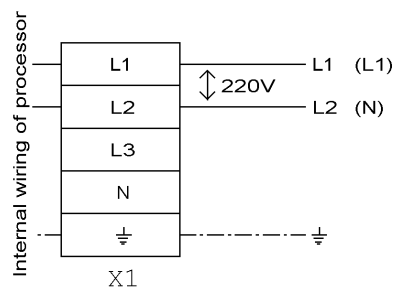
INDX 900E

230V~ 50/60Hz

1,7 kW

13 A

ATTENTION:
PROCESSOR TO BE CONNECTED TO
SUPPLY NET: 220V 50/60Hz



In case the above voltages are not available at site, please contact your local dealer or the factory for rewiring advice.

Details for shipment:

INDX 900E

| | |
|-----------------------------|--|
| Packing dimensions: | 1 carton box on palette |
| | 120cm x 80cm x 80cm (L x W x H) |
| Packing volume: | 0,768 m³ |
| Weight with packing: | 80 kg |