

# pre-installation- Manual Colenta®

## INDX 900E X-Ray-Filmprocessor



Colenta®

**COLENTA NDT X-Ray Film Processor:  
TYPE INDX900E**

For all standard NDT X-Ray Films

06/2019 TK

# Colenta<sup>®</sup> INDX 900E

## X-Ray-Filmprocessor

---

---

The processor is designed in such a way that only a cold water supply, drain, exhaust and power connection are necessary. The plumbing is carried out according to DIN 1986/1988 and must comply with local plumbing codes. The cold water supply must be lockable with a stop cock connected with a 3/4" outlet (washing machine connection) to the processor.

Make sure that the stop cock is easily accessible as it has to be opened before work and closed after work. By means of the pressure/flow regulator, incorporated into the 2 way solenoid valve of the processor, at a water pressure of 2-6 bar, the flow rate will be limited to maximum 1.5ltr./min. For cleaning the racks and the processor tanks, as well as for mixing chemicals, it is recommended to install a second water supply with stop cock and an approx. 2.5 mtr. long hose.

The drain tubes of the processor can be drained separately or together, according to the local code requirements. The necessary hose connections from the processor to the outlet (drain) are enclosed. The fixer can be collected separately in a plastic container (storage tank) or directly connected to a silver recovery unit. The developer is to be collected in a plastic container. In order to avoid a backwash of the drained, used chemicals, the drain hoses should be free of bends and with a constant fall. The drain must be ventilated!

A floor drain may be used or a wall drain with a built-in plastic anti-syphon.

Note: Do not use brass or copper in the drain lines

The minimum diameter of the drain lines should be 40 mm.

### **Electrical:**

For operation, a 13 A fused socket with earth contact is required. If other consumer devices are connected to the same power line we would suggest a separate circuit is provided for the processor (for further information, see the processor datasheet)

### **Replenishment:**

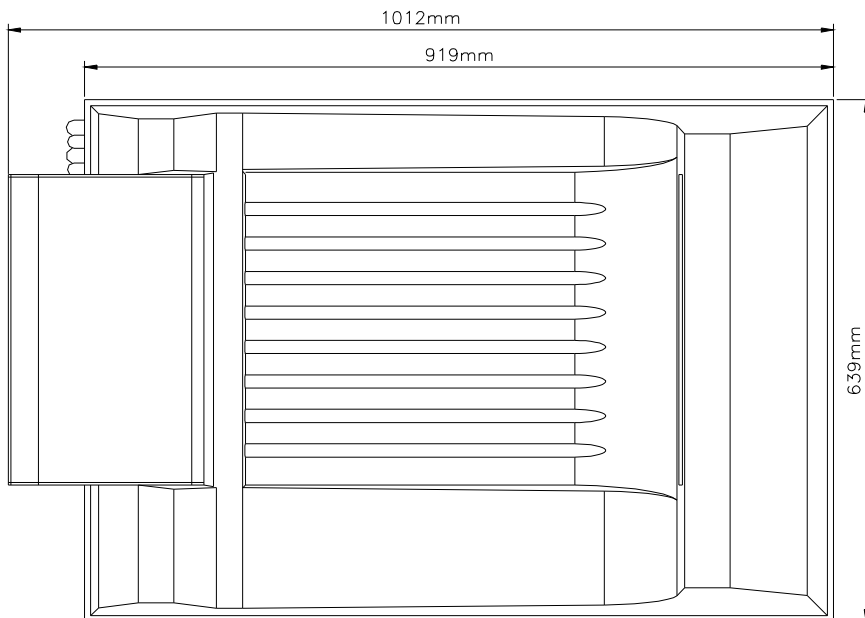
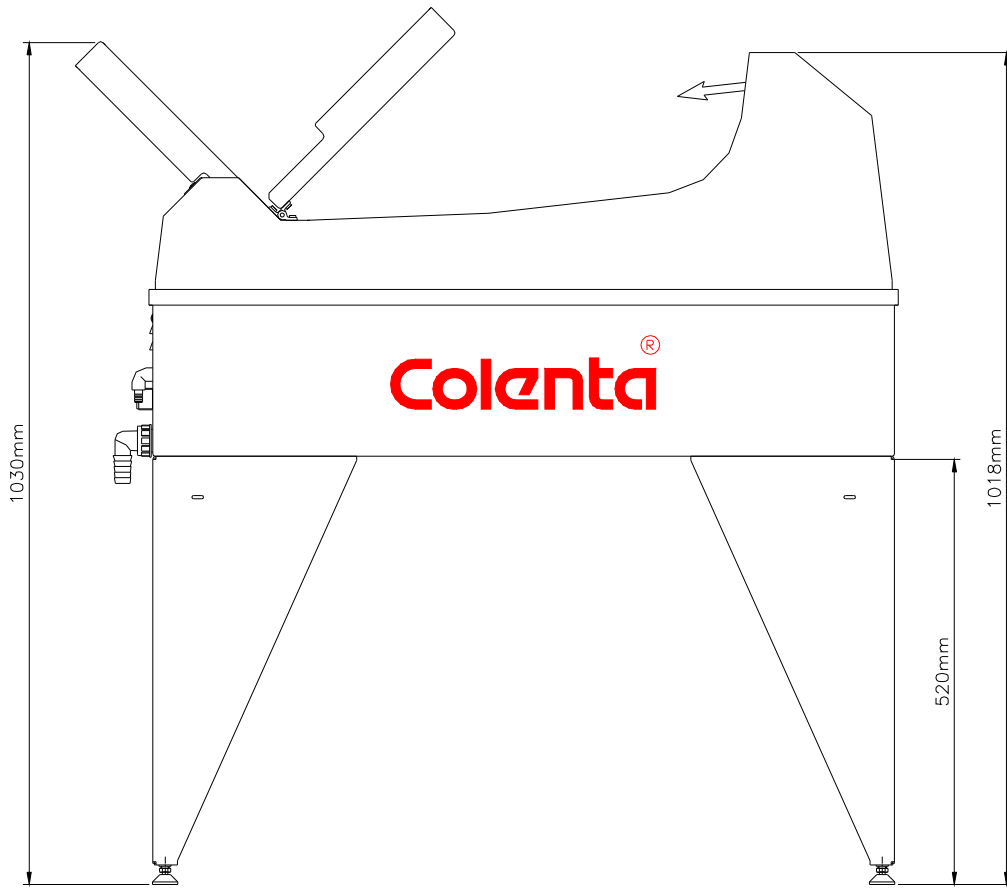
The replenisher storage tanks (recommended 30 litre capacity each), should be placed in the base of the processor and must be easily accessible. Therefore, please notice the minimum wall clearance for service requirements

**Automatic Cooling:** 1) The processor electronics will automatically detect over temperature developer conditions and then activate a cold water cooling system. The temperature of the incoming cold water supply has to be between 7 - 15 C to work efficiently. If not available and in cases where the processor is required to operate in warm ambient conditions a chiller system should be used on the developer tank solution. A chiller unit is available as an optional accessory from Colenta for either self installation or factory fitted if ordered with the processor.

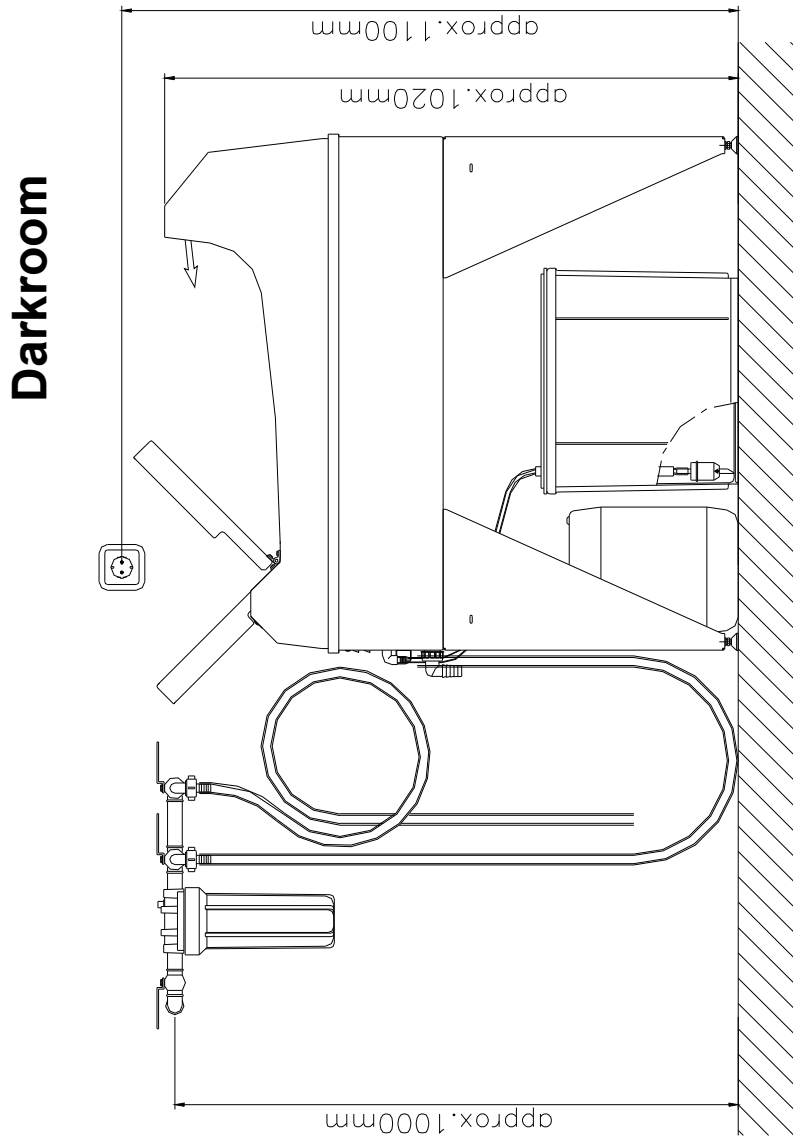
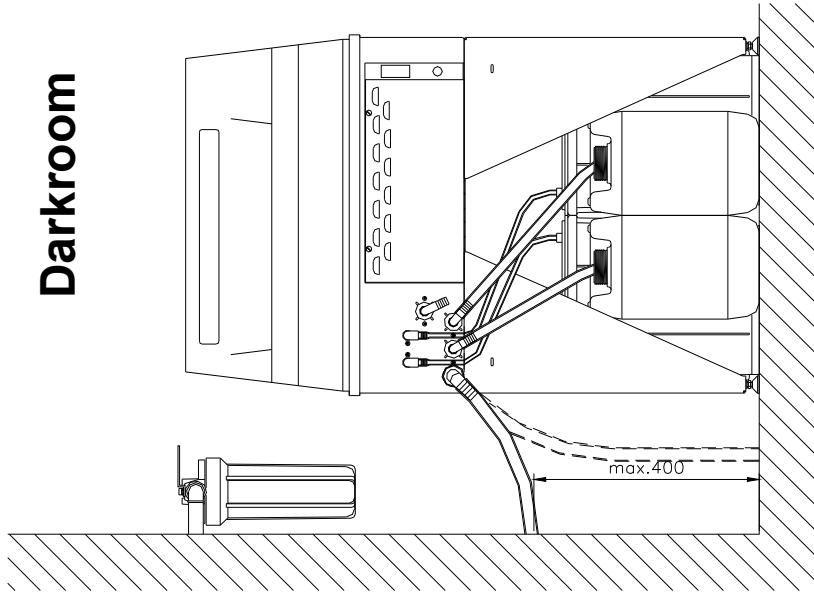
2) Processor ventilation: The processor is supplied with an exhaust port located at the left and right (depending on) side of the processor. During installation this port should be connected to an external ventilation system provided at the installation site (sufficient power to ventilate the warm exhaust air away and out of the processing area).

As well it is important that the darkroom is pressurised to ensure a positive airflow inside the darkroom - a minimum air exchange of 7-10 times the volume of the darkroom per hour is recommended.

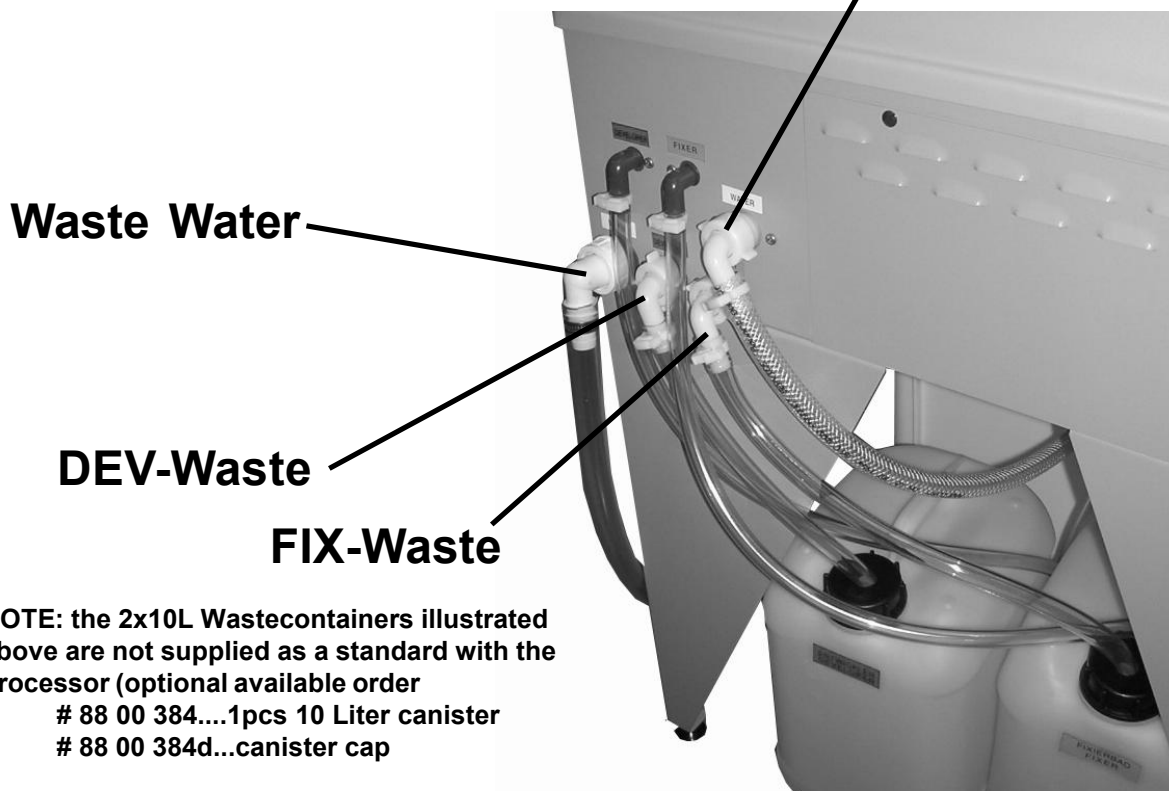
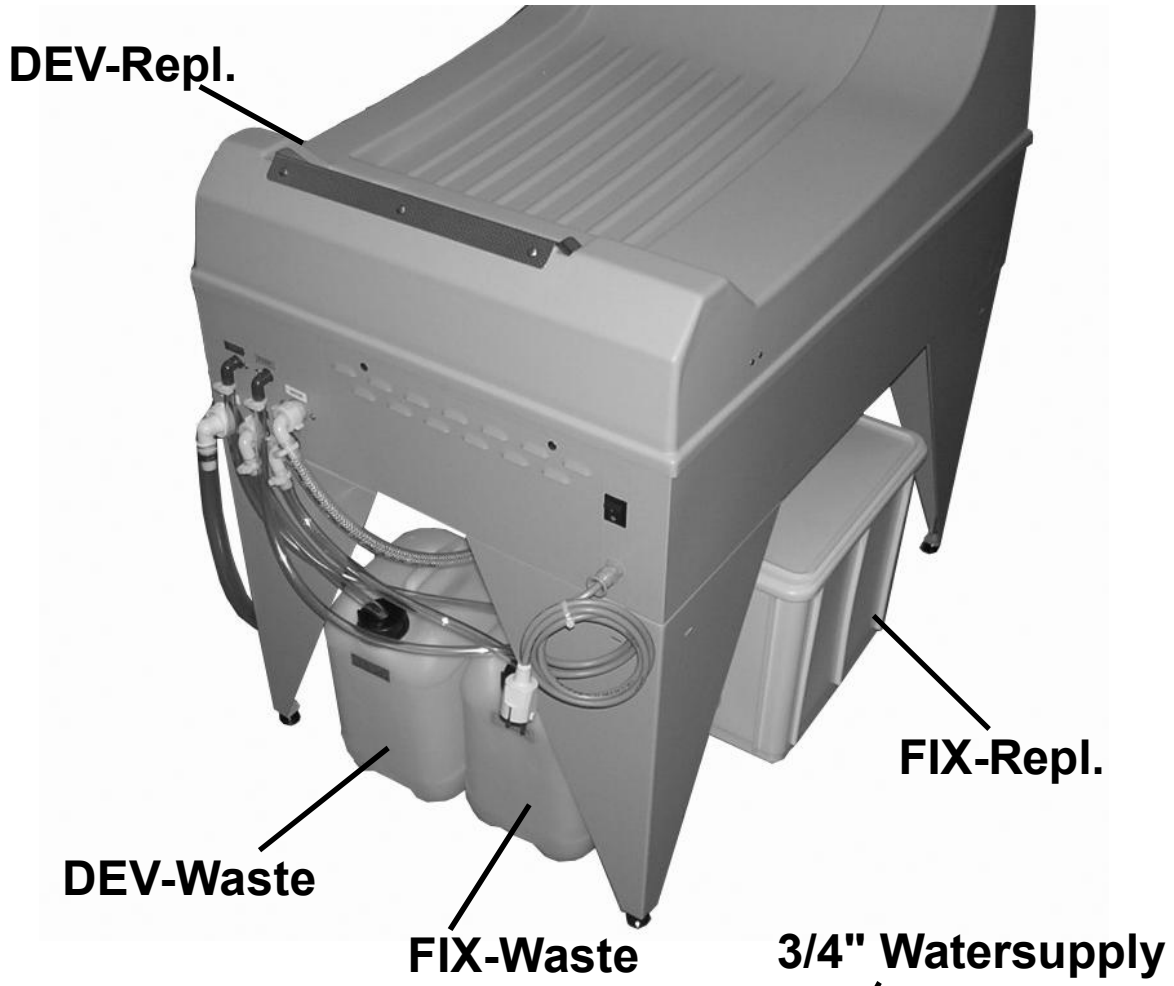
## DIMENSIONS OF INDX 900E:



**recommended Installation: "Free-standing":**



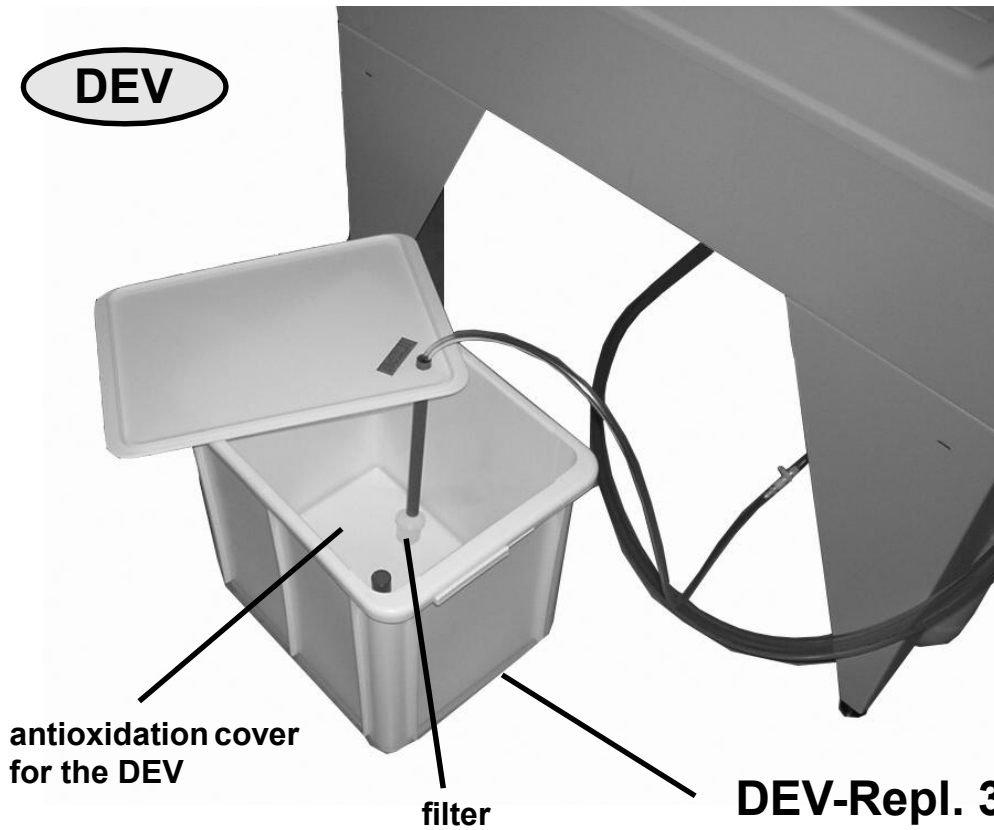
**Drains and Watersupply:**



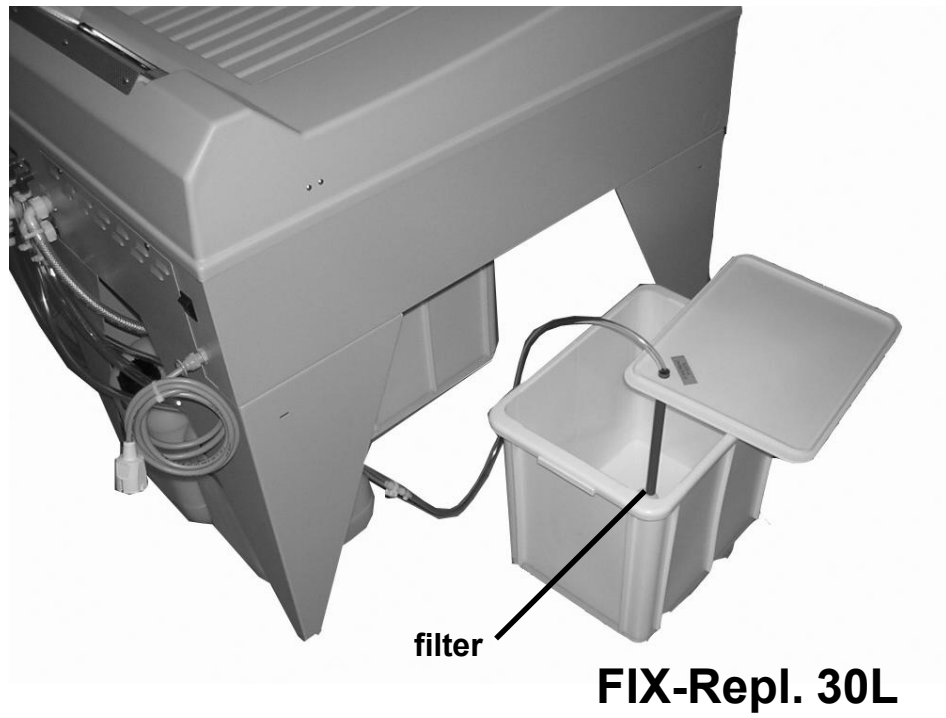
**NOTE:** the 2x10L Wastecontainers illustrated above are not supplied as a standard with the processor (optional available order  
# 88 00 384....1pcs 10 Liter canister  
# 88 00 384d...canister cap

**Replenishment DEV & FIX:**

**DEV**



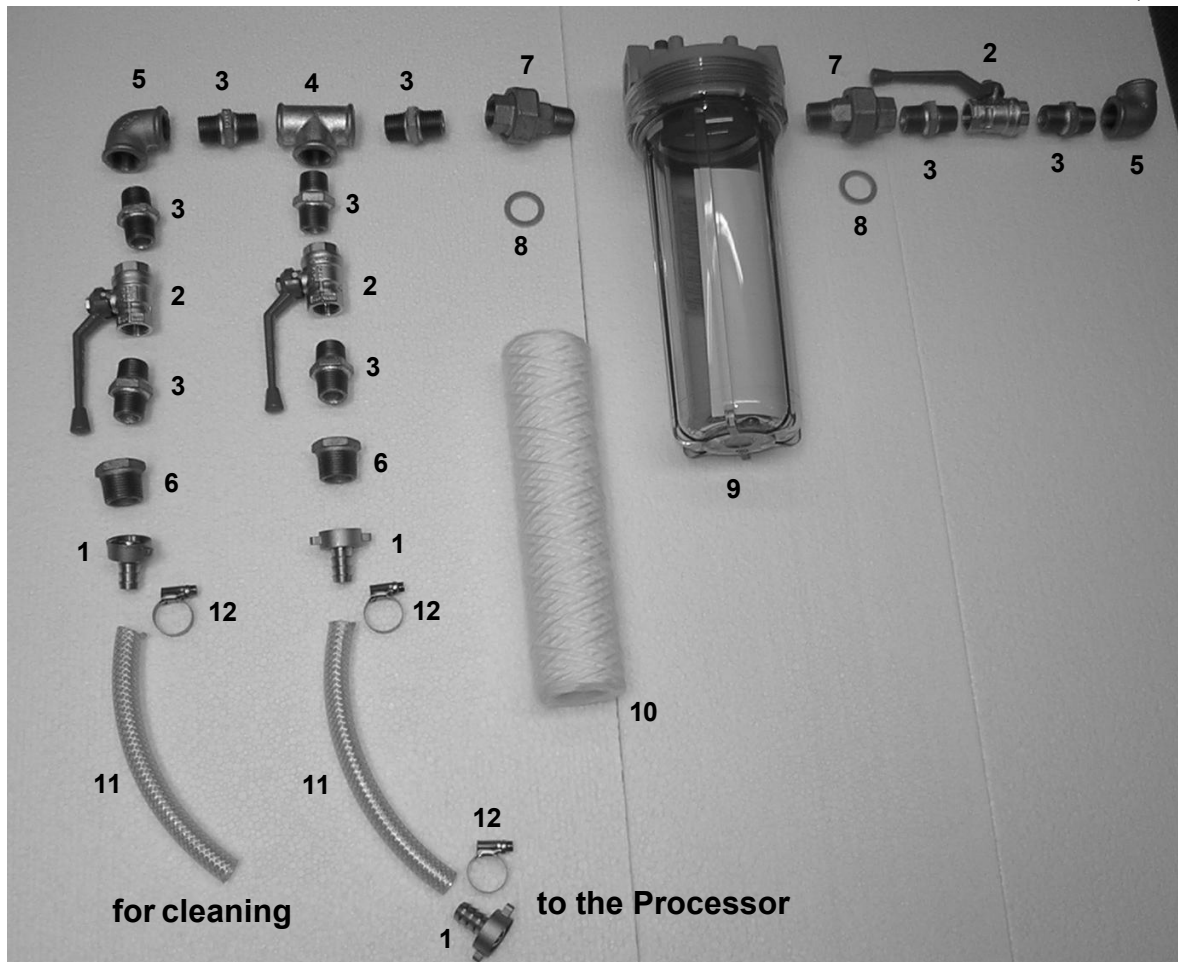
**FIX**



**Watersupply-Kit assy optional:**

**Order No.:90 60 008**

Water IN ↓

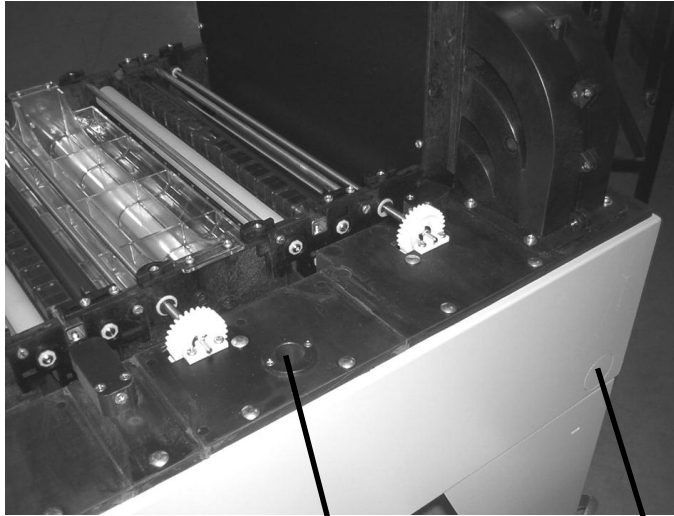


Pos. No.	Part No.	Beschreibung	Description	Quantity
1	90 45 000	Schlauchholländer 3/4"	Hose connector - 3/4in	3
2	90 45 001	Kugelhahn 3/4"	In Line Tap	3
3	90 45 002	Doppelnippel 3/4"	3/4in straight fitting	8
4	90 45 003	T-Stück 3/4"	T-Fitting 3/4in	1
5	90 45 004	Bogen 3/4"-90°	3/4in Elbow - 90°	2
6	90 45 005	Reduzierung	Male/Female fitting	2
7	90 45 007	Holländer	Filter inlet/outlet fitting	2
8	90 45 009	Dichtung	Flat washer	2
9	90 45 027	Filtergehäuse	Fiter Housing	1
10	90 45 035	Filterpatrone	Filter Cartridge	11
11	90 70 420	Schlauch 1/2"	Hose 1/2"	4meters
12	90 81 826	Schlauchklemme	Hoseclamp	3
13	90 45 032	Teflon Band	Teflon tape	2

**Air ventilation kit:**

**Order# .....**

The processor is pre-prepared for ease of connection to an exhaust facility to be provided at the installation site.



**hole for ventilation**

**preparation for the ventilation hose (on both sides of the processor)**



**ventilation (dia 40mm) to be connected to the processor**

The processor exhaust port is universal and can be attached to exit either left or right side dependant on the position of the processor to the exhaust facility.

**PLEASE NOTE:**

The exhaust system provided at the installation site must incorporate a fan with sufficient power to move exhaust air from the processor to the point of extraction either to atmosphere or to the main exhaust facility at the installation site. Provision for a suitable exhaust system together with electrical, water and drainage supplies is the responsibility of the customer to provide and which comply with all legislation.

